

Description

7TS16 is a versatile signal relay with 4 inputs for signals. It has 4 local LED displays and 4 output contacts with auto-reset that can be used in SCADA control systems. In addition, there are 2 diode circuits.

A local or remote-control reset is possible via a separate input. The reset must not be permanently switched.

Benefits

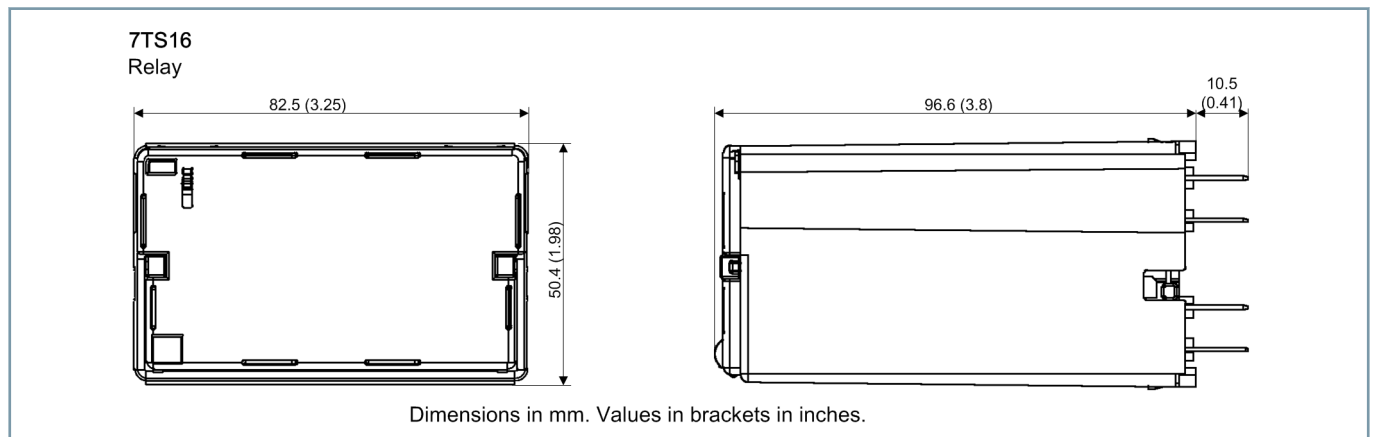
- High durability and functional guarantee
- Tests according to the latest standards: IEC, EN and with the CE marking.



[ph_7TS16, 1, _-]

Figure 2.3/1 Signal Relay 7TS16

Dimensions and Connections



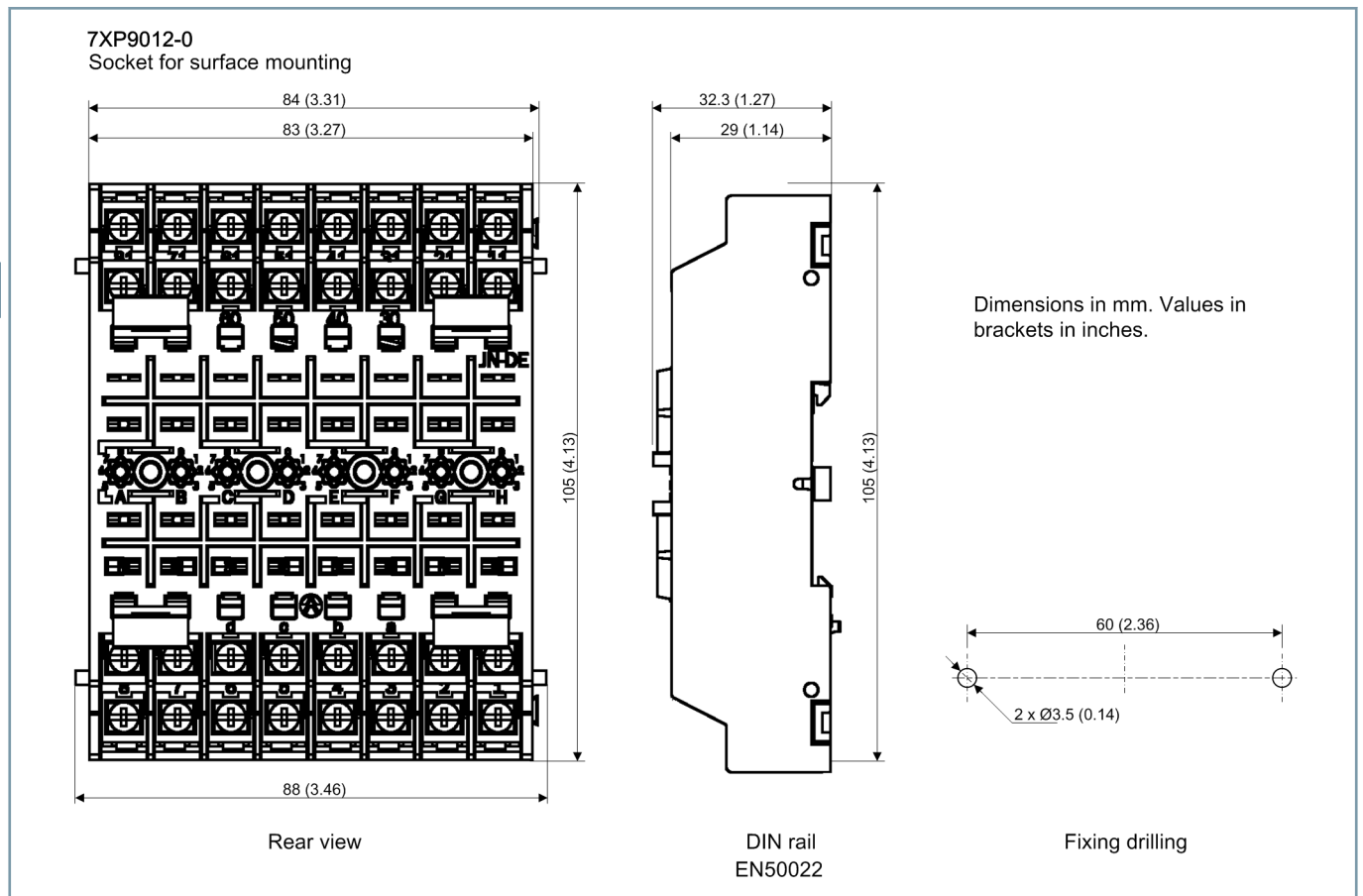
[dw_7ts16_dimensions_and_panel-mounting-cutout, 2, en_US]

Figure 2.3/2 Dimensions

Auxiliary Relays

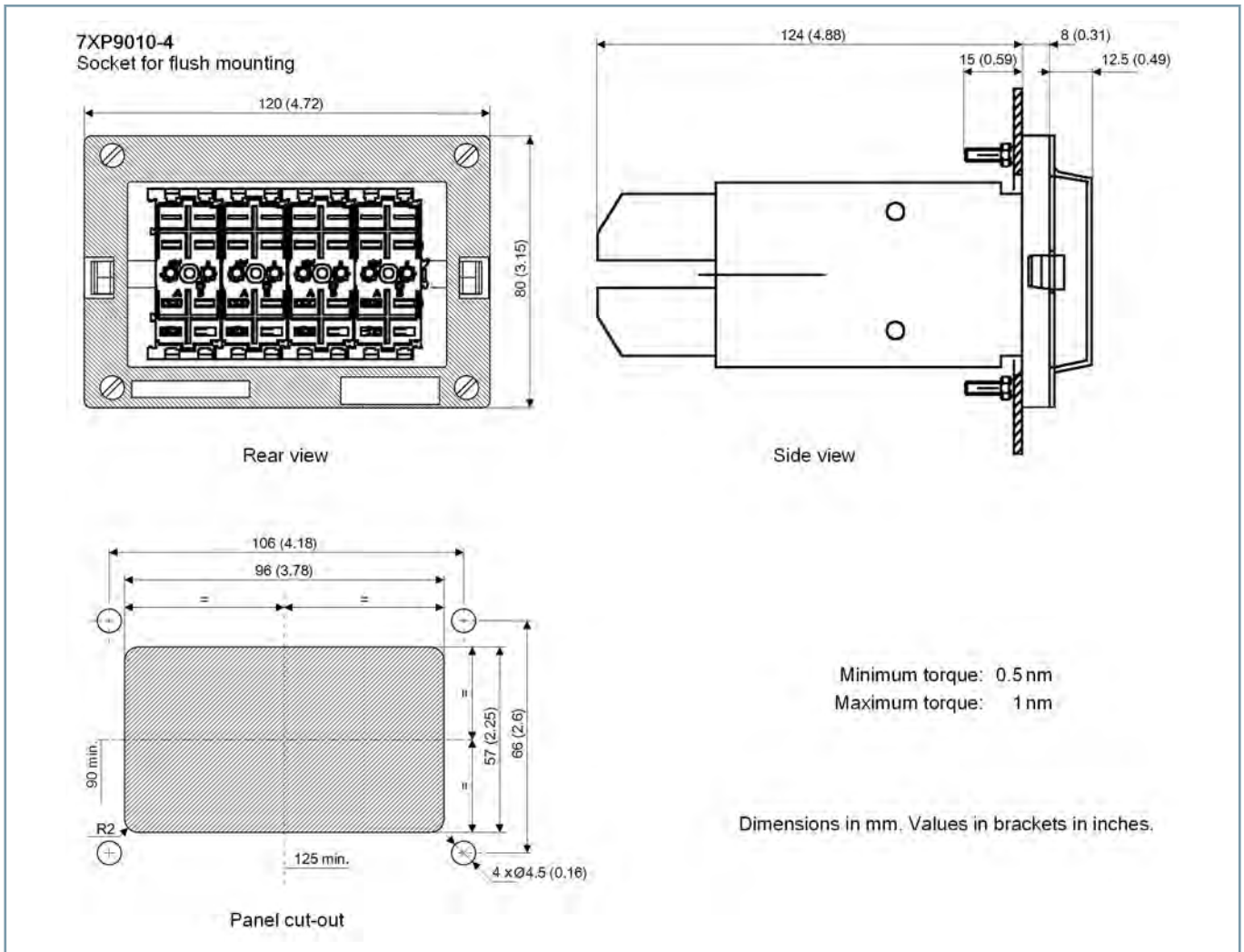
Signal Relay – 7TS16

2.3



[dw_7pa30-3phs_socket_for_surface-mounting, 2, en_US]

Figure 2.3/3 Surface-Mounting Base



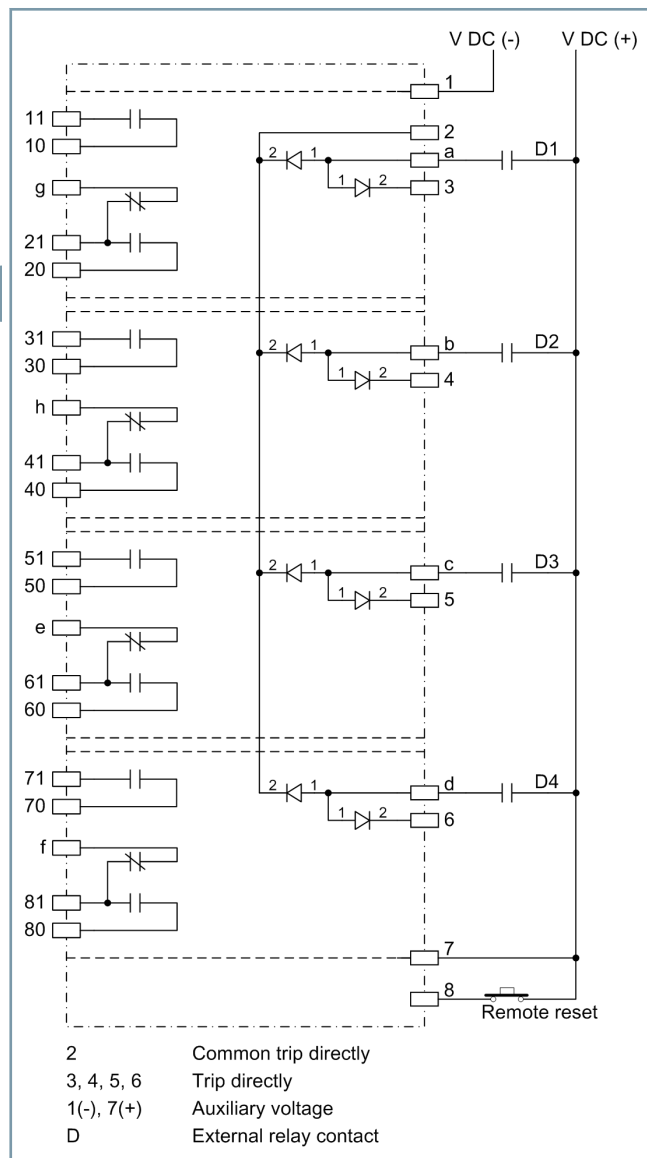
[dw_7pa30-3phs_socket_for_flush-mounting_2_en_US]

Figure 2.3/4 Flush-Mounting Base

Auxiliary Relays

Signal Relay – 7TS16

2.3



[dw_contact_without_aux_voltage_2_en_US]

Figure 2.3/5 Connection Diagram – Contacts shown without Auxiliary Voltage in the Relay

Technical Data

Rated voltage and internal consumption			
V_N (VDC)	Voltage range (VDC)	Excitation voltage (VDC)	De-excitation voltage (VDC)
24/30	17 to 33	13.5 to 17	> 6
110/125	77 to 137.5	60 to 77	> 35
220	154 to 242	103 to 154	> 65

Operating temperature	-10 °C +55 °C
Storage temperature	-30 °C +70 °C

Max. humidity	93%/40 °C
Pre-arcing time	<5 ms

Internal consumption				
V_N	Per switching procedure	During monitoring	For permanent, continuous switching	For set LEDs
24/30	1 A/3 ms	0.5	21	1
110/125	3 A/3 ms	2	8	3
220	4 A/3 ms	3.5	6.5	5

Display	4 LEDs, stored until reset
---------	----------------------------

Inputs	4 alarm/switch inputs
	Input for remote reset
	Push-button for local reset

Monostable outputs:	A direct output via diode, 2.5 A
Each for alarm/switch input:	An isolated change-over contact
	An isolated make contact
	A common output via diode (2.5 A; V_{max} 220 VDC)

Contacts	
Continuous current	8 A
Overload capacity	15 A
Switching power ON	15 A/4 s/110 VDC
Switching capacity OFF	0.3 A/110 VDC

Weights and packaging	
7TS16	165 g
Carton	150x124x84 mm
7XP9010-2	400 g
7XP9012-0	225 g

Design guidelines	
Electrical tests according to	IEC 60255-27
Insulation	2 kV/50 Hz/1 min
Surge immunity	5 kV/1.2/50 μ s
Insulation resistance	> 100 M Ω /500 VDC
Flame resistance	
Plastics	UL94: V0
Protection class	IEC 60529, EN60529
Relays	IP40
Flush-mounting base	IP10
Surface-Mounting Base	IP10
Environmental conditions	IEC 60068-2
Dry cold, in operation	-10 °C
Dry heat, in operation	+55 °C
Storage and transportation	-30 °C +70 °C

EMC Tests

EMC tests	Standard
Immunity, industrial environment	IEC 61000-6-2 EN 61000-6-2

1 MHz immunity test	IEC 60255-22-1 / 1 kV / 2.5 kV
Emitted interference, industrial environment	IEC 61000-6-4 EN 61000-6-4 EN 55011/Class A

Selection and Ordering Data

Description	Order No.															
	1	2	3	4	5	6	7	8	9	10	11	12	13	14	15	16
Signal relay with 4 LEDs	7	T	S	1	6	□	2	-	0	A	A	0	0	-	□	
						▲									▲	
<u>Rated voltage</u>																
DC 24/30 V						1										
DC 110/125 V						3										
DC 220 V						4										
<u>Base</u>																
Without base															0	
With base 7XP9010-2 (flush mounting)															1	
With base 7XP9012-0 (surface mounting)															2	
5 x retaining bracket for auxiliary relay with surface mounting base (1 required for each relay/surface mounting base)	A	Y	R	:	E	4	7