



Reyrolle
Protection
Devices

7SR11 and 7SR12 Argus

Overcurrent Relays

Answers for energy

SIEMENS

7SR11 and 7SR12 Argus

Overcurrent Relays



Description

The 7SR11 & 7SR12 are overcurrent protection relays developed to enhance the Argus family of products by providing a familiar product using the latest generation of hardware technology.

The 7SR11 overcurrent and earth fault relays and the 7SR12 directional relays are available in single and four pole variants.

Housed in a 4U high, size E4 case, these relays provide protection, monitoring, instrumentation and metering with integrated input and output logic, data logging & fault reports. Communication access to the relay functionality is via a front USB port for local PC connection or rear electrical RS485 port for remote connection.

Function Overview

Protection

37	Undercurrent
46BC	Broken Conductor / Load Unbalance
46NPS	Negative Phase Sequence Overcurrent
49	Thermal Overload
50	Instantaneous Overcurrent
50G/N/SEF	Instantaneous Earth Fault
50BF	Circuit Breaker Fail
51	Time Delayed Overcurrent
51G/N/SEF	Time Delayed Measured/Derived/Sensitive Earth Fault
64H	High Impedance REF
27/59	Under/Over Voltage
47	Negative Phase Sequence Voltage
51V	Voltage Controlled Overcurrent
59N	Neutral Voltage Displacement
67/50	Directional Instantaneous Overcurrent
67/50G/N	Directional Instantaneous Earth Fault
67/51	Directional Time Delayed Overcurrent
67/51G/N	Directional Time Delayed Earth Fault
81HBL2	Inrush Detector
81	Under/Over Frequency Line Check/Switch onto Fault

Supervision

60CTS CT Supervision

74T/CCS Trip & Close Circuit Supervision

60VTS VT Supervision

Control

79 Auto Reclose

86 Lockout
CB Control

Features

Cold Load Settings

Four Settings Groups

Password Protection – 2 levels

User Programmable Logic

Self Monitoring

Circuit Breaker Trip and Maintenance Counter

Trip Timers

User Interface

20 Character x 4 Line Backlit LCD

Menu Navigation Keys

9 User Programmable Tri-colour LEDs

User Language Configuration

Monitoring Functions

Primary/Secondary Current Phases and Earth Direction

Primary/Secondary Line and Phase Voltages

Apparent Power and Power Factor

Real and Reactive Power

W Hr & VAr Hr Forward and Reverse

Historical Demand Record

Positive Phase Sequence (PPS) Voltage & Current

Negative Phase Sequence (NPS) Voltage & Current

Zero Phase Sequence (ZPS) Voltage

Frequency

Direction

Binary Input/Output status

Trip circuit healthy/failure

Time and date

Starters

Fault records

Event records

Energy

Circuit breaker trip counters

I²t summation for contact wear

Hardware

1 CT 3 Binary Inputs 5 Binary Outputs

4 CT 3 Binary Inputs 5 Binary Outputs

4 CT 6 Binary Inputs 8 Binary Outputs

1 CT 3 VT 3 Binary Inputs 5 Binary Outputs

4 CT 3 VT 3 Binary Inputs 5 Binary Outputs

4 CT 3 VT 6 Binary Inputs 8 Binary Outputs

Data Storage and Communication

Front USB port + Rear RS485 port
 Protocols - IEC60870-5-103, DNP3.0 or Modbus RTU
 Event Records – User Configurable
 Fault Records
 Waveform Records
 Measurands
 Commands
 Time Synchronism
 Viewing and Changing Settings

Application

The Argus is a numerical overcurrent protection relay intended for use on distribution and industrial networks. It provides a highly comprehensive functional software package with a range of integral application functions aimed at reducing installation, wiring and engineering time. An extensive range of metered values can be viewed on the front LCD or at a remote point via the communication channel. The integrated control feature allows operation of a single circuit breaker and monitoring of its trip and close circuits.

Function Matrix

FUNCTION	FUNCTIONAL REQUIREMENT	7SR1101-1*A12-**A0	7SR1101-3*A12-**A0	7SR1102-1*A12-**A0	7SR1102-3*A12-**A0	7SR1204-2*A12-**A0	7SR1204-4*A12-**A0	7SR1205-2*A12-**A0	7SR1205-4*A12-**A0	
27	Undervoltage					■	■	■	■	
37	Undercurrent			□	■			■	■	
46BC	Broken Conductor / Load Unbalance			□	■			■	■	
46NPS	Negative Phase Sequence Overcurrent			□	■			■	■	
47	Negative Phase Sequence Voltage							■	■	
49	Thermal Overload			□	■			■	■	
50	Instantaneous Overcurrent			■	■			■	■	
50G	Measured Instantaneous Earth Fault	■		■		■		■		
50SEF	Measured Instantaneous Sensitive Earth Fault		■		■		■		■	
50N	Derived Instantaneous Earth Fault			■	■			■	■	
50BF	CB Failure	■	■	■	■	■	■	■	■	
51	Time Delayed Overcurrent			■	■			■	■	
51G	Measured Time Delayed Earth Fault	■		■		■		■		
51SEF	Measured Time Delayed Sensitive Earth Fault		■		■		■		■	
51N	Derived Time Delayed Earth Fault			■	■			■	■	
59	Overvoltage					■	■	■	■	
59N	Neutral Voltage Displacement					■	■	■	■	
64H	High Impedance Restricted Earth Fault	■	■	■	■	■	■	■	■	
67	Directional Overcurrent					■	■	■	■	
67G	Directional Measured Earth Fault					■		■		
67SEF	Directional Sensitive Earth Fault					■	■		■	
67N	Directional Derived Earth Fault							■	■	
81HBLS	Inrush Detector	■		■	■	■		■	■	
81	Under/Over Frequency					■	■	■	■	
CONTROL / MONITOR										
51c	Cold Load - Phase Only			■	■			■	■	
60CTS	CT Supervision			■	■			■	■	
60VTS	VT Supervision					■	■	■	■	
74T/CCS	Trip & Close Circuit Supervision	■	■	■	■	■	■	■	■	

Key - ■ - Included as standard
 □ - Ordering option

7SR11 Functional Diagrams

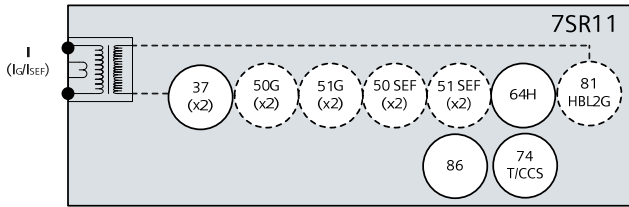


Fig 1. Single Pole Overcurrent Relay

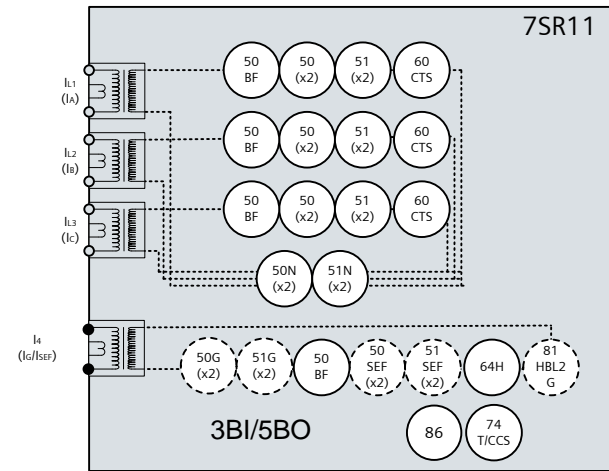
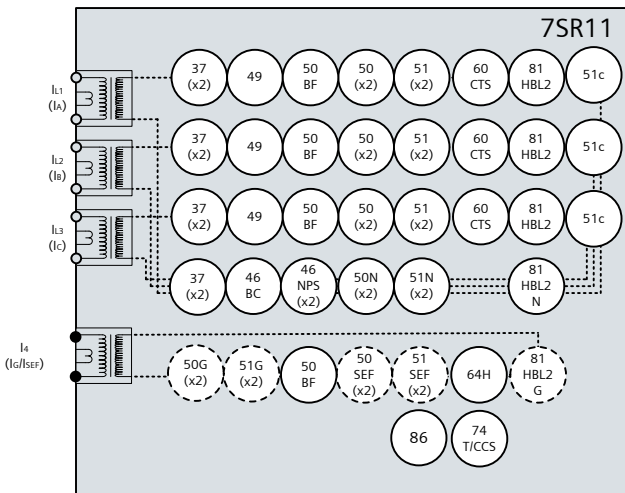


Fig 2. Four Pole Overcurrent Relay Version A software



79 Optional Version D Software

Fig 3 Four Pole Overcurrent Relay Version C Software

7SR12 Functional Diagrams

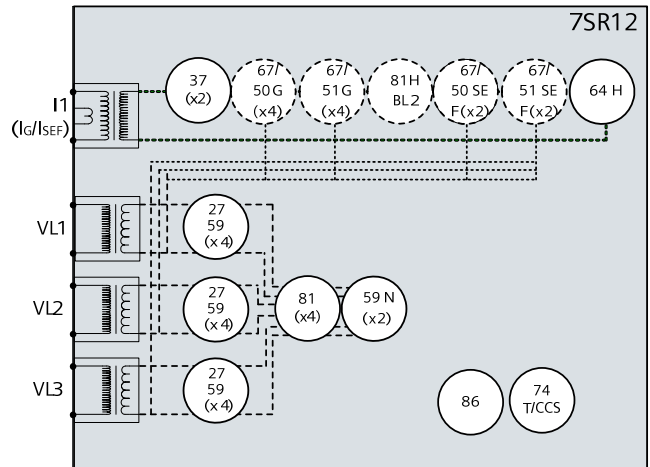


Fig 4. Single Pole Directional Relay

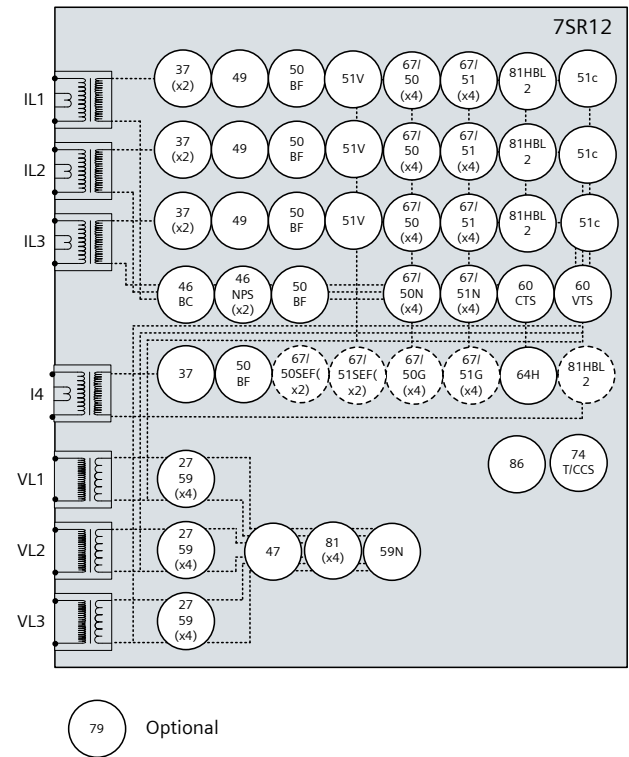


Fig 5. Four Pole Directional Overcurrent Relay

Notes

1. Items shown dotted are only available in some models; please refer to the Ordering Information Section.
2. The use of some functions are mutually exclusive

Description of Functionality

27/59 Under/Over Voltage

Each element has settings for pickup level, drop-off level and Definite Time Lag (DTL) delays. Operates if voltage exceeds setting for duration of delay.

37 Undercurrent

Each element has settings for pickup level and Definite Time Lag (DTL) delays. Operates if current falls below setting for duration of delay.

46BC Phase Unbalance/Broken Conductor

Element has settings for pickup level and DTL delay. With the circuit breaker closed, if the NPS:PPS current ratio is above setting this could be due to a broken conductor.

46NPS Negative Phase Sequence Overcurrent

Each element has user settings for pickup level and IDMTL or DTL delay, operates if NPS current exceeds setting and delay. NPS current elements can be used to detect unbalances on the system or remote earth faults when a delta-star transformer is in circuit.

47 Negative Phase Sequence Voltage

Each element has settings for pickup level and Definite Time Lag (DTL) delays. Operates if NPS voltage exceeds setting for duration of delay.

49 Thermal Overload

The thermal algorithm calculates the thermal states from the measured currents and can be applied to lines, cables and transformers. Alarm outputs are given for thermal overload and thermal capacity.

50BF Circuit Breaker Fail

The circuit breaker fail function may be triggered from an internal trip signal or from a binary input. Line currents and earth currents are monitored following a trip signal and an output is issued if any current is still detected, above setting, after a specified time interval. Alternatively, if the trip is from a mechanical protection the circuit breaker position can be used to determine a failure. A second time delay is available to enable another stage to be utilized if required. An input is also available to bypass the time delays when the circuit breaker is known to be faulty.

51c Cold Load Pickup

If a circuit breaker is closed onto a 'cold' load, i.e. one that has not been powered for a prolonged period, this can impose a higher than normal load-current demand on the system which could exceed normal settings. These conditions can exist for an extended period and must not be interpreted as a fault. To allow optimum setting levels to be applied for normal operation, the cold load pickup feature will apply alternative current settings for a limited period. The feature resets when either the circuit breaker has been closed for a settable period, or if the current has reduced beneath a set level for a user set period.

50/51 Phase Fault

50 INST/DTL and 51 IDMTL/DTL elements provide overcurrent protection, each with independent settings for pickup current, time-multiplier (51) and time-delays. User can select IEC or ANSI time current characteristics. The IDMT stage has a user programmable reset characteristic, either DTL or shaped current ~ time reset characteristic, to improve grading with electromechanical protection.

50G/51G/50N/51N Earth Fault/Sensitive Earth Fault

Two earth fault measurement modes are available. One mode directly measures the earth current from an independent CT, or the residual connection of the 3 line CTs. This input can be ordered as either earth fault or sensitive earth fault (50G/51G).

The second mode derives the earth current internally from the 3 phase CT inputs to give earth fault (50N/51N). 50 INST/DTL and 51 IDMTL/DTL elements provide overcurrent protection, each with independent settings for pickup current, time-multiplier (51) and time-delays. User can select IEC or ANSI time current characteristics. The IDMT stage has a user programmable reset characteristic either DTL or shaped current ~ time reset characteristic to improve grading with electromechanical protection.

The directional SEF element is also suitable for use on compensated networks.

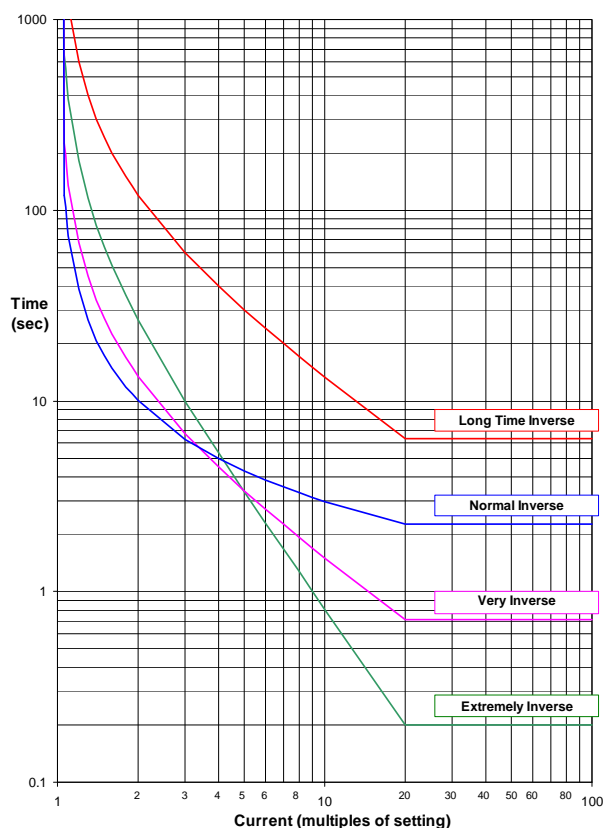


Fig 6. IEC Overcurrent Curves

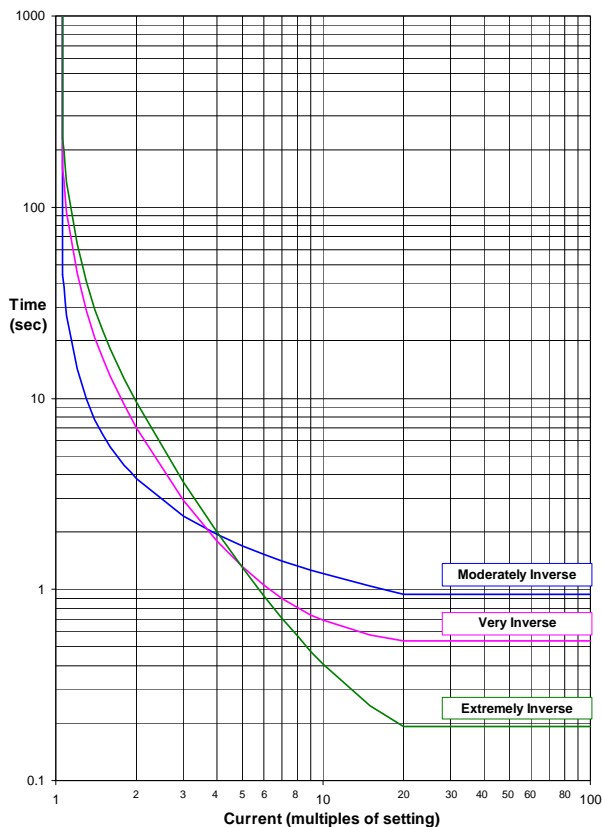


Fig 7. ANSI Overcurrent Curves

51V Voltage Controlled Overcurrent

Each phase shaped overcurrent element can be independently controlled by the level of measured input voltage. For applied voltages above setting the 51-n element operates in accordance with its current setting but for voltages below the setting a multiplier is applied to reduce the 51-n pick up current setting.

59N Neutral Overvoltage

Neutral overvoltage can be used to detect earth faults in high impedance earthed or isolated systems. Operates if the neutral voltage exceeds setting for duration of delay.

60CTS CT Supervision

The relay has two methods of CT supervision.. The 7SR11 monitors each phase current input and operates if any one or two inputs fall below the setting. The 7SR12 has the above method and an addition method that considers the presence of negative phase sequence current, without an equivalent level of negative phase sequence voltage, for a user set time as a CT failure. Both element types have user operate and delay settings.

60VTS VT Supervision

The VT supervision uses a combination of negative phase sequence voltage and negative phase sequence current to detect a VT fuse failure. This condition may be alarmed or used to inhibit voltage dependent functions. Element has user operate and delay settings.

64H Restricted Earth Fault

The measured earth fault input may be used in a 64H high impedance restricted earth fault scheme to provide sensitive high speed unit protection. A calculation is required to determine the values of the external series stabilising resistor and non-linear shunt resistor which can be ordered separately.

67/67N Directional Control

Phase, earth and sensitive earth fault elements can be directionalised. Each element can be user set to Forward, Reverse, or Non-directional. Directional Phase Fault elements are polarised from quadrature voltage. Derived earth fault elements can be user set to be polarised from residual voltage or negative phase sequence voltage. Measured earth fault elements are polarized from V_0 .

74T/CCS Trip & Close Circuit Supervision

The trip or close circuit(s) can be monitored via binary inputs. Trip circuit failure raises an HMI alarm and output(s).

81HBL2 Inrush Restraint

Where second harmonic current is detected (i.e. during transformer energisation) user selectable elements can be blocked and an alarm given.

81 Under/Overfrequency

Each element has settings for pickup level, drop-off level and Definite Time Lag (DTL) delays. Operates if frequency exceeds setting for duration of delay. Typically applied in load shedding schemes.

Standard Version – Plus 79 Auto-Reclose

A high proportion of faults on an overhead line network are transient and can be cleared quickly by high speed tripping followed by an automated circuit breaker reclose sequence.

The function provides independent phase fault and earth fault / sensitive earth fault sequences of up to 5 trip i.e. 4 reclose attempts before lockout. An auto-reclose sequence can be user set to be initiated from internal protection operation or via binary input from an external protection.

Programmable Logic

The user can map binary inputs, protection elements, LEDs and binary outputs together in a logical scheme. Up to 4 logic equations can be defined using standard logic functions e.g. Timers, AND/OR gates, Inverters and Counters to provide the user required functionality. Each logic equation output can be used for alarm & indication and/or tripping.

Virtual Inputs/Outputs

There are 8 virtual inputs/outputs to provide internal logical states to assist in the application of the functions. Each virtual I/O can be assigned in the same way as a physical I/O.

Circuit Breaker Maintenance

Two circuit breaker operations counters are provided to assist with maintenance scheduling. The maintenance counter records the overall number of operations and the

delta counter records the number of operations since the last reset.

An I²t summation counter provides a measure of the contact wear indicating the total energy interrupted by the circuit breaker contacts.

Each counter has a user set target operations count which, when reached, can be mapped to raise alarms/ binary outputs. A CB Trip Time meter is also available, which measures the time between the trip or open command being issued and the auxiliary contacts changing state.

Control Mode

The relay has a control menu with access to commonly used command operations. Access to the control commands is restricted by a 4 character control function password. Each command requires a select then execute operation, if the execute operation is not performed within a time window the command is aborted. The following control functions are available:

- CB Operation
- Auto Reclose In/Out
- Auto Reclose Trip & Reclose
- Auto Reclose Trip & Lockout
- SEF In/Out
- Inst Prot In/Out
- Hot Line Working In/Out



Fig 8. Example of Control Function View

Data Acquisition - Via Communication Interface

Sequence of event records

Up to 1000 events are stored and time tagged to 1ms resolution.

Fault Records

The last 10 fault records are displayed on the relay fascia and are also available through the communication interface, with time and date of trip, measured quantities and type of fault.

Waveform recorder

The waveform recorder stores analogue data for all poles and the states of protection functions, binary inputs, LEDs and binary outputs with user settable pre & post trigger data. A record can be triggered from protection function, binary input or via data communications. 10 records of 1 second duration are stored.

Demand Metering

A rolling record of demand over the last 24h is stored. The demand is averaged over a user selectable period of time. A rolling record of such demand averages is stored and provides the demand history. A typical application is to record 15min averages for the last 7 days.

Real Time Clock

The time and date can be set and are maintained while the relay is de-energised by a back up storage capacitor. The time can be synchronized from a binary input pulse or the data communication channel.

Serial Communications

The relay offers a USB serial port as standard on the front of all units. All of the relays functions can be set on a PC using Reydisp Evolution via the USB port. The connection is made with a USB cable and operates with a 'plug and play' connection, so no pre-setting of the relay is required. The front port can be switched off or set to use either the DNP3.0, MODBUS-RTU, IEC60870-5-103 and ASCII protocols for testing purposes.

A rear RS485 electrical connection is available on all units for system interface connections. An internal terminating resistor is provided, which can be connected into the circuit by adding a wire loop between the relevant terminals.

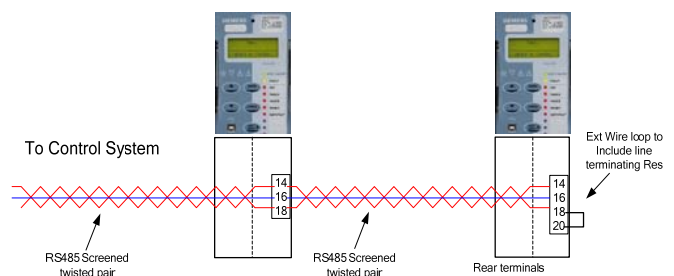


Fig 9. Typical RS485 connection

The rear RS485 can be user selected to be OFF, IEC60870-5-103, MODBUS RTU or DNP3.0 protocol.

Reydisp Evolution

Reydisp Evolution is a Windows based software tool, providing the means for the user to apply settings, interrogate settings and retrieve events and disturbance waveforms from the device and is common to the entire range of Reyrolle protection relays.

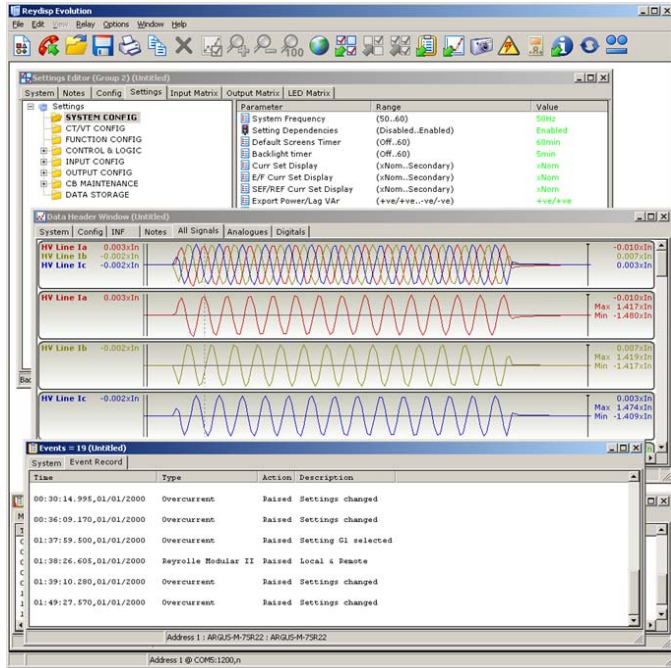


Fig 10. Typical Reydisp Evolution Screenshot

Language Editor

The Language editor software gives the user the ability to customize the text displayed in the relays, Menu structure and instrumentation views. The tool allows a language file to be created and transferred to the relay also containing Western European characters.

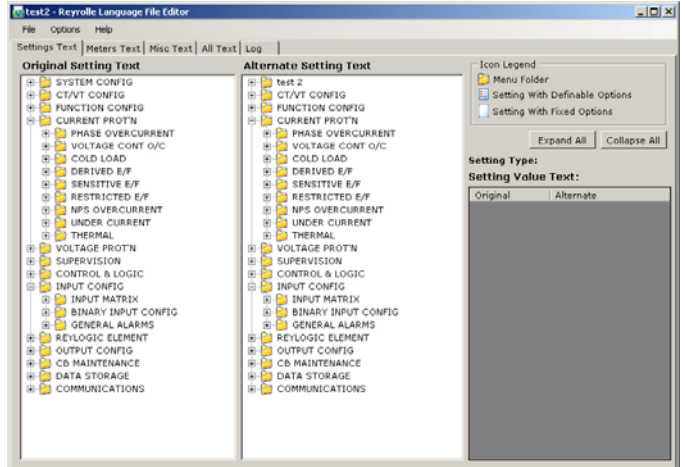


Fig 11. Typical Language Editor Screenshot

Communications Editor

To facilitate easier interfacing to a substation the relays default Protocol configuration may be modified using the communication editor software tool. The communication editor is a PC based software package provided within the Reydisp software suite which allows modification of the IEC60870-5-103, DNP 3.0 and MODBUS Protocols.

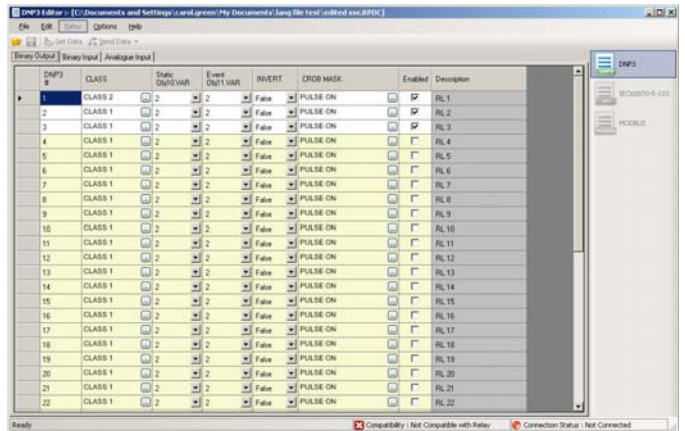


Fig 12. Typical Communications Editor Screenshot

Construction

The relay is housed in a 4U high size E4 case with a removable clear plastic fascia cover. The plastic fascia cover can be ordered with or without two push buttons to allow the user to view the settings and instruments without removing the cover.

Two plastic handles are provided to allow the relay to be withdrawn from its case, contacts in the case ensure that the CT circuits and normally closed contacts remain short circuited when the relay is withdrawn.

The rear terminal blocks comprise M4 female terminals for ring crimp wire connections, to provide a secure and reliable termination.



Fig 13. Rear view of relay

User Interface

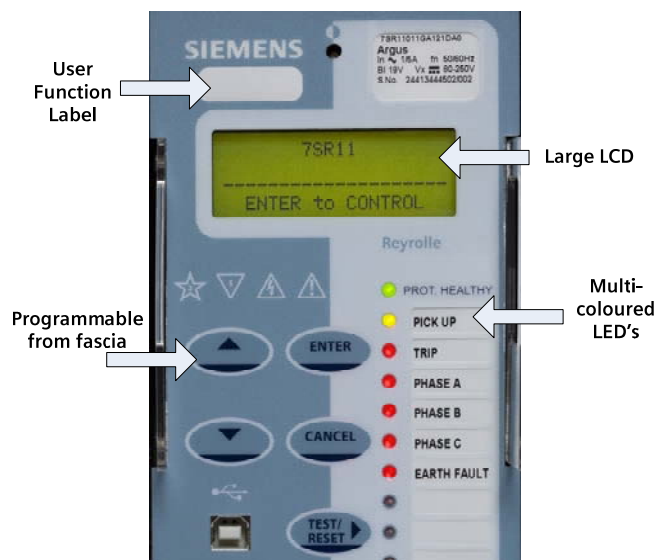


Fig 14. User Interface

The operator interface is designed to provide a user friendly method of controlling, viewing menus, entering settings and retrieving data from the relay. Five buttons are provided for navigation around the menu structure.

LCD

A 4 line by 20 character liquid crystal display with power save operation indicates the relay identifier, settings, instrumentation, fault data and control commands. Up to 6 user programmable general alarms can be configured to display your own indications on the LCD.

LEDs

A green steadily illuminated LED indicates the 'Protection Healthy' condition.

9 user programmable LEDs are available eliminating the need for expensive panel mounted pilot lights and associated wiring. Each LED is tri-color (red, green, yellow) allowing for clear indication of the associated function's state and has a label insert for identification.

Relay Information

The device is identified by the rating label on the fascia. The user can also give the device its own identity by editing the 'Relay Identifier' displayed on the LCD or space is provided to place a slip in label giving the relays function.

Technical Data

For full technical data refer to the Performance Specification Section of the Technical Manual.

Inputs and Outputs

Current Inputs

Quantity	3 x Phase & 1 x Earth or Sensitive Earth
Rated Current In	1/5A
Measuring Range	80 x In
Instrumentation $\geq 0.1 \times I_n$	$\pm 1\%$ In
Frequency	50/60Hz
Thermal Withstand:	
Continuous	3 x In
10 Minutes	3.5 x In
2 Minutes	6 x In
1 Second	100A (1A) 350A (5A)
1 Cycle	700A (1A) 2500A (5A)
Burden @ In	$\leq 0.02VA$ (1A phase and Earth element) $\leq 0.2VA$ (5A phase and earth element)

Voltage Inputs

Quantity	3 ph-ph
Nominal Voltage	40...160V a.c. Range
Instrumentation $\geq 0.8 \times V_n$	$\pm 1\%$ Vn
Thermal Withstand:	
Continuous	270V
1 Second	
Burden @ 110V	$\leq 0.06 VA$

Auxiliary Supply

Rated DC Voltage	110/125/220/250V Range 64 to 300V 24/48/60V Range 18 to 72V	
Allowable superimposed ac component	12% of DC voltage	
Rated AC Voltage	115 VAC 50/60Hz Range 92 to 138 V rms AC 47-52/57-62Hz	
Power Consumption:	Min (DC)	3.9W
	Max (DC)	8W
	Min (AC)	9VA 0.5PF
	Max (AC)	15VA 0.5PF
Allowable breaks/dips in supply (collapse to zero)	DC	50ms
	AC	2.5/3 cycles @50/60Hz

Binary Inputs

Number	3 or 6	
Operating Voltage	19V dc	DC Range 17 to 320V dc AC Range 92 to 138 V _{RMS} AC
	88V dc	Range 70 to 320V dc
Maximum dc current for operation	1.5mA	
Maximum peak ac current for operation	1.5mA	
Pick Up Delay	User Selectable 0 to 14,400,000ms (up to 4 hours)	
Drop Off Delay	User Selectable 0 to 14,400,000ms (up to 4 hours)	

For AC operation the BI pick-up delay should be set to 0ms and the drop-off delay to 20ms.

Binary Outputs

Number	5 or 8 (3 change over contacts)	
Operating Voltage	Voltage Free	
Operating Mode	User selectable - Self or Hand/Electrical Reset or pulsed.	
Operating Time from Energizing Binary Input	<20ms	
Making Capacity:		
Carry continuously	5A ac or dc	
Make and carry (L/R ≤ 40 ms and V ≤ 300 V)	20A ac or dc for 0.5s 30A ac or dc for 0.2s	
Breaking Capacity (≤ 5 A and ≤ 300 V):		
AC Resistive	1250 VA	
AC Inductive	250 VA at p.f. ≤ 0.4	
DC Resistive	75 W	
DC Inductive	30 W at L/R ≤ 40 ms 50 W at L/R ≤ 10 ms	

Unit Design

Housing	E4 (see dimension drawing)
Indication	20 Character 4 line Display Relay Healthy LED 9 Tri Coloured User Programmable Self or Hand Reset LED's
With-drawable Element	Yes
User Interface	5 Navigation Keys
Weight	Typical 3.1Kg
IP Rating Installed with cover	IP 50

Serial Interface

Communication Port	Front USB Type B Rear RS485 2 wire electrical
Protocols	IEC60870-5-103 MODBUS RTU DNP3.0

Data Storage

Fault Record	10
Waveform Record	10 x 1sec 2 x 5sec 5 x 2sec 1 x 10sec Pre trigger 10...90%
Events	1000 1ms Resolution

Mechanical Tests

Vibration (Sinusoidal)

IEC 60255-21-1 Class I

Type	Level	Variation
Vibration response	0.5 gn	≤ 5 %
Vibration response	1.0 gn	≤ 5 %

Shock and Bump

IEC 60255-21-2 Class I

Type	Level	Variation
Shock response	5 gn, 11 ms	≤ 5 %
Shock withstand	15 gn, 11 ms	≤ 5 %
Bump test	10 gn, 16 ms	≤ 5 %

Seismic

IEC 60255-21-3 Class I

Type	Level	Variation
Seismic response	X-plane - 3.5mm displacement below crossover freq (8-9Hz) 1gn and above Y-plane - 1.5mm displacement below crossover freq (8-9Hz) 0.5gn above	≤ 5 %

Mechanical Classification

Durability	>10 ⁶ operations
------------	-----------------------------

Electrical Tests

Insulation

IEC 60255-5

Type	Level
Between any terminal and earth	2.0 kV AC RMS for 1 min
Between independent circuits	2.0 kV AC RMS for 1 min
Across normally open contacts	1.0 kV AC RMS for 1 min

High Frequency Disturbance

IEC 60255-22-1 Class III

Type	Level	Variation
Common (longitudinal) mode	2.5 kV	≤ 5 %
Series (transverse) mode	1.0 kV	≤ 5 %

Electrostatic Discharge

IEC 60255-22-2 Class IV

Type	Level	Variation
Contact discharge	8.0 kV	≤ 5 %

Fast Transients

IEC 60255-22-4 Class A (2002)

Type	Level	Variation
5/50 ns 2.5 kHz repetitive	4kV	≤ 5 %

Surge Immunity

IEC 60255-22-5

Type	Level	Variation
Between all terminals and earth	4.0 kV	≤ 10 %
Between any two independent circuits	2.0kV	≤ 10 % *

* Note 45ms pick up delay for DTL applied to binary inputs.

Conducted Radio Frequency Interference

IEC 60255-22-6

Type	Level	Variation
0.15 to 80 MHz	10 V	≤ 5 %

Radiated Radio Frequency

IEC 60255-25

Type	Limits at 10 m, Quasi-peak
30 to 230 MHz	40 dB(μ V)
230 to 10000 MHz	47 dB(μ V)

Conducted Radio Frequency

Type	Limits	
	Quasi-peak	Average
0.15 to 0.5 MHz	79 dB(μ V)	66 dB(μ V)
0.5 to 30 MHz	73 dB(μ V)	60 dB(μ V)

Radiated Immunity

IEC 60255-22-3 Class III

Type	Level
80 MHz to 1000 MHz Sweep	10 V/m
1.4GHz to 2.7GHz Sweep	10V/m
80,160,380,450,900,1850,2150 MHz Spot	10V/m

Climatic Tests

Temperature

IEC 60068-2-1/2

Operating Range	-10 °C to +55 °C
Storage range	-25 °C to +70 °C

Humidity

IEC 60068-2-78

Operational test	56 days at 40 °C and 93 % relative humidity
------------------	---

Performance

27/59 Under/Over Voltage

Number of Elements	4 Under or Over
Operate	Any phase or All phases
Voltage Guard	1,1.5...200V
Setting Range Vs	5,5.5...200V
Hysteresis Setting	0.0.1...80%
Vs Operate Level	100% Vs, \pm 1% or \pm 0.25V
Reset Level:	
Overvoltage	$= (100\% - \text{hyst}) \times V_{op}$, \pm 1%
Undervoltage	$= (100\% + \text{hyst}) \times V_{op}$, \pm 1%
Delay Setting td	0.00,0.01...20,20.5...100,101...1000,1010...10000,10100...14400s
Basic Operate Time :	
0 to 1.1xVs	73ms \pm 10ms
0 to 2.0xVs	63ms \pm 10ms
1.1 to 0.5xVs	58ms \pm 10ms
Operate time following delay.	Tbasic +td , \pm 1% or \pm 10ms
Inhibited by	Binary or Virtual Input VT Supervision Voltage Guard

37 Undercurrent

Number of Elements	2 Phase and 2 EF
Operate	Any phase or ALL
Setting Range Is	0.05,0.10...5.0 x In
Operate Level	100% Is, \pm 5% or \pm 1% x In
Current Guard	Phase 0.05,0.1...5.0 x In
Delay Setting td	0.00,0.01...20,20.5...100,101...1000,1010...10000,10100...14400s
Basic Operate Time:	
1.1 to 0.5xIn	35ms \pm 10ms
Operate time following delay.	Tbasic +td , \pm 1% or \pm 10ms
Overshoot Time	< 40ms
Inhibited by	Binary or Virtual Input

46 Negative Phase Sequence Overcurrent

Number of Elements	DT & IT
DT Setting Range Is	0.05,0.10...4.0 x In
DT Operate Level	100% Is, ±5% or ±1% x In
DT Delay Setting td	0.00,0.01...20,20.5...100,101... 1000,1010...10000,10100...144 00s
DT Basic Operate Time 0 to 2 xls 0 to 5 xls	40ms ±10ms 30ms ±10ms
DT Operate time following delay.	Tbasic +td, ±1% or ±10ms
IT Char Setting	IEC NI,VI,EI,LTI ANSI MI,VI,EI & DTL
IT Setting Range	0.05...2.5
Tm Time Multiplier	0.025,0.050...1.6
Char Operate Level	105% Is, ±4% or ±1% In
Overshoot Time	< 40ms
Inhibited by	Binary or Virtual Input

47 Negative Phase Sequence

Number of Elements	2
Setting Range Vs	1,1.5...90V
Hysteresis Setting	0,0.1...80%
Operate Level	100% Vs, ±2% or ±0.5V
Delay Setting td	0.00,0.01...20,20.5...100,101... 1000,1010...10000,10100...144 00s
Basic Operate Time 0V to 1.5xVs 0V to 10xVs	80ms ±20ms 55ms ±20ms
Operate time following delay.	Tbasic +td, ±2% or ±20ms
Overshoot Time	< 40ms
Inhibited by	Binary or Virtual Input

49 Thermal Overload

Operate levels	Operate and Alarm
Setting Range Is	0.10,0.11...3.0 x In
Operate Level	100% Is, ±5% or ±1% x In
Time Constant Setting	1,1.5...1000min
Operate time	$t = \tau \times In \left\{ \frac{I^2 \cdot I_p^2}{I^2 \cdot (k \times I_B)^2} \right\}$ ±5% absolute or ±100ms where Ip = prior current
Alarm Level	Disabled, 50,51...100%
Inhibited by	Binary or Virtual Input

50 (67) Instantaneous & DTL OC&EF (Directional)

Operation – 7SR12 only	Non directional, Forward or reverse
Elements	Phase, Derived Earth, Measured Earth & SEF
Number of Elements 2 x 7SR11 4 x 7SR12	2/4 x OC 2/4 x Derived EF 'N' 2/4 x Measured EF 'G' where fitted 2/4 x SEF where fitted
Setting Range Is	0.05,0.06...50 x In SEF 0.005...5 x In
Time Delay Operate Level	0.00...14400s 100% Is, ±5% or ±1% x In
Operate time: 50 50N	0 to 2xls – 35ms, ±10ms, 0 to 5xls – 25ms, ±10ms 0 to 2xls – 40ms, ±10ms, 0 to 5xls – 30ms, ±10ms
Operate time following delay	Tbasic +td, ±1% or ±10ms
Inhibited by	Binary or Virtual Input Inrush detector VT Supervision

51(67) Time Delayed OC&EF (Directional)

Operation – 7SR12 only	Non directional, Forward or reverse
Elements	Phase, Derived Earth, Measured Earth & SEF
Number of Elements 2 x 7SR11 4 x 7SR12	2/4 x OC 2/4 x Derived EF 'N' 2/4 x Measured EF 'G' 2/4 x SEF where fitted
Characteristic	IEC NI,VI,EI,LTI ANSI MI,VI,EI & DTL
Setting Range Is	0.05,0.06...2.5 x In SEF 0.005...0.5 x In
Time Multiplier	0.025,0.05...1.6
Time Delay	0,0.01... 20s
Operate Level	105% Is, ±4% or ±1% x In
Minimum Operate time IEC ANSI	$t_{op} = \frac{K}{\left[\frac{I}{I_B}\right]^p - 1} \times Tm$ $t_{op} = \left[\frac{A}{\left[\frac{I}{I_B}\right]^p - 1} + B \right] \times Tm$ ± 5 % absolute or ± 30 ms
Follower Delay	0 - 20s
Reset	ANSI decaying, 0 – 60s
Inhibited by	Binary or Virtual Input Inrush detector VT Supervision

51V Voltage Controlled Overcurrent

Setting Range	5,5.5...200V
Operate Level	100% Vs, $\pm 5\%$ or $\pm 1\% \times V_n$
Multiplier	0.25.0.3...1 x 51s
Inhibited by	VT Supervision

50BF Circuit Breaker Fail

Operation	Current check - Phase and Measured Earth with independent settings Mechanical Trip CB Faulty Monitor
Setting Range Is	0.05,0.055...2.0 x In
2 Stage Time Delays	Timer 1 20...60000ms Timer 2 20...60000ms
Operate Level	100% Is, $\pm 5\%$ or $\pm 1\% \times I_n$
Disengaging time	< 20ms
Operate time following delay	Tcbf $\pm 1\%$ or $\pm 2\text{ms}$
Triggered by	Any function mapped as trip contact.
Inhibited by	Binary/Virtual Input
Timer By pass	Yes, 50BF CB Faulty Input

59N Neutral Voltage Displacement

Number of Elements	DT & IT
DT Setting Range Is	1...100V
DT Operate Level	100% Vs, $\pm 2\%$ or $\pm 0.5V$
DT Delay Setting td	0 ...14400s
DT Basic Operate Time	76ms $\pm 20\text{ms}$ 63ms $\pm 20\text{ms}$
DT Operate time following delay.	Tbasic +td , $\pm 1\%$ or $\pm 20\text{ms}$
IT Char Setting	IDMTL & DTL
IT Setting Range	1...100V
Tm Time	0.1...140
Multiplier(IDMT)	
Delay (DTL)	0...20s
Reset	ANSI Decaying, 0...60s
Char Operate Level	105% Vs, $\pm 2\%$ or $\pm 0.5V$
Inhibited by	Binary or Virtual Input

60 Supervision

CT	7SR11 Current 7SR12 Current or Vnps & Inps
VT	nps/zps

64H Restricted Earth Fault

Setting Range	SEF input	0.005, 0.006 ... 0.100, 0.105 ... 0.950 xIn
	EF input	0.05, 0.055... 0.95 xIn
Operate Level	100% Is, $\pm 5\%$ or $\pm 1\% \times I_n$	
Time Delay	0.00... 14400s	
Basic Operate Time	0 to 2 xIs 45ms $\pm 10\text{ms}$ 0 to 5 xIs 35ms $\pm 10\text{ms}$	
Inhibited by	Binary or Virtual Input	

74T/CC Trip/Close Circuit Supervision

Number of supervisable circuits	3 x Trip and 3 x Close
Number of BI's Required	1 or 2 per function

79 AutoReclose

Operating Mode	Phase, Earth, SEF External
Number of Reclosures	4
Number of Trips	5
Dead Time	0...14400
Reclaim Time	0...600
Lockout Reset	CB, Timer & BI

81 Under/Over Frequency

Number of Elements	4 Under or Over
Under Voltage Guard	Yes/No
Setting Range Hz	43,43.01...68Hz
Hysteresis Setting	0, 0.1... 2%
Operate Level	100% Fs $\pm 10\text{mHz}$
Operate Time	Typical <150ms
Vs Operate Delay	0...14400s

Control Functions

CB	Open/Close
Inst Prot	IN/OUT
EF	IN/OUT
SEF	IN/OUT
Hot Line	IN/OUT
Relay Mode	Local/Remote/Local or Remote
Reset	LED's & O/P's

CB Maintenance

Trip Counter	Total & Delta 0...10000
Counts to AR Block	0...10000
Frequent Operations	0...10000
I ² t Alarm	10...100000

Case Dimensions

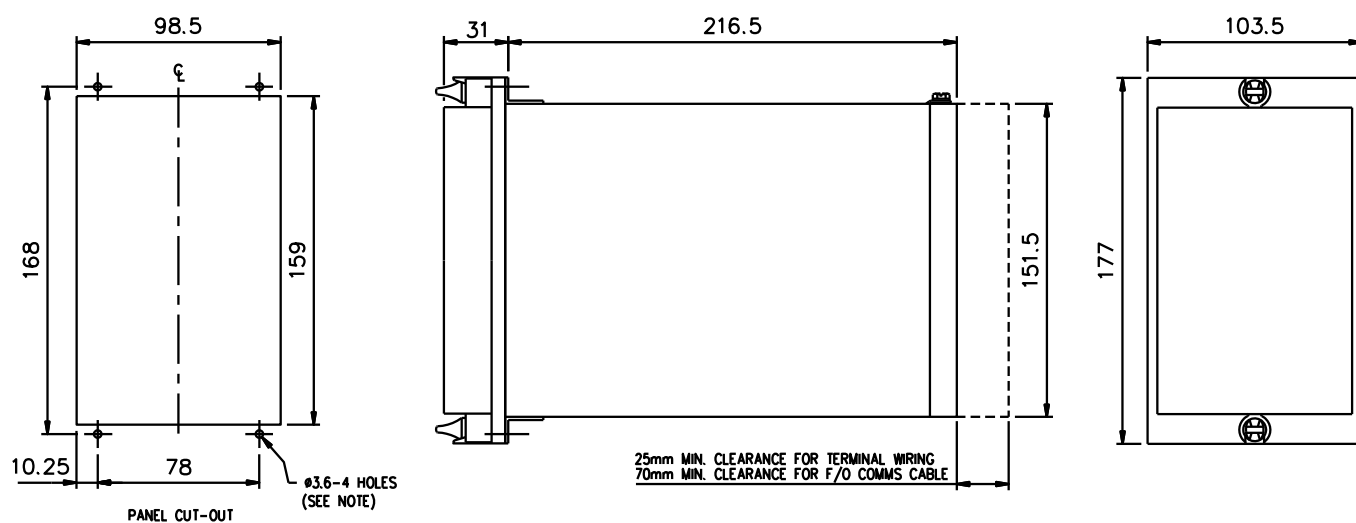


Fig 15. E4 Case Dimensions

7SR11 Connection Diagram

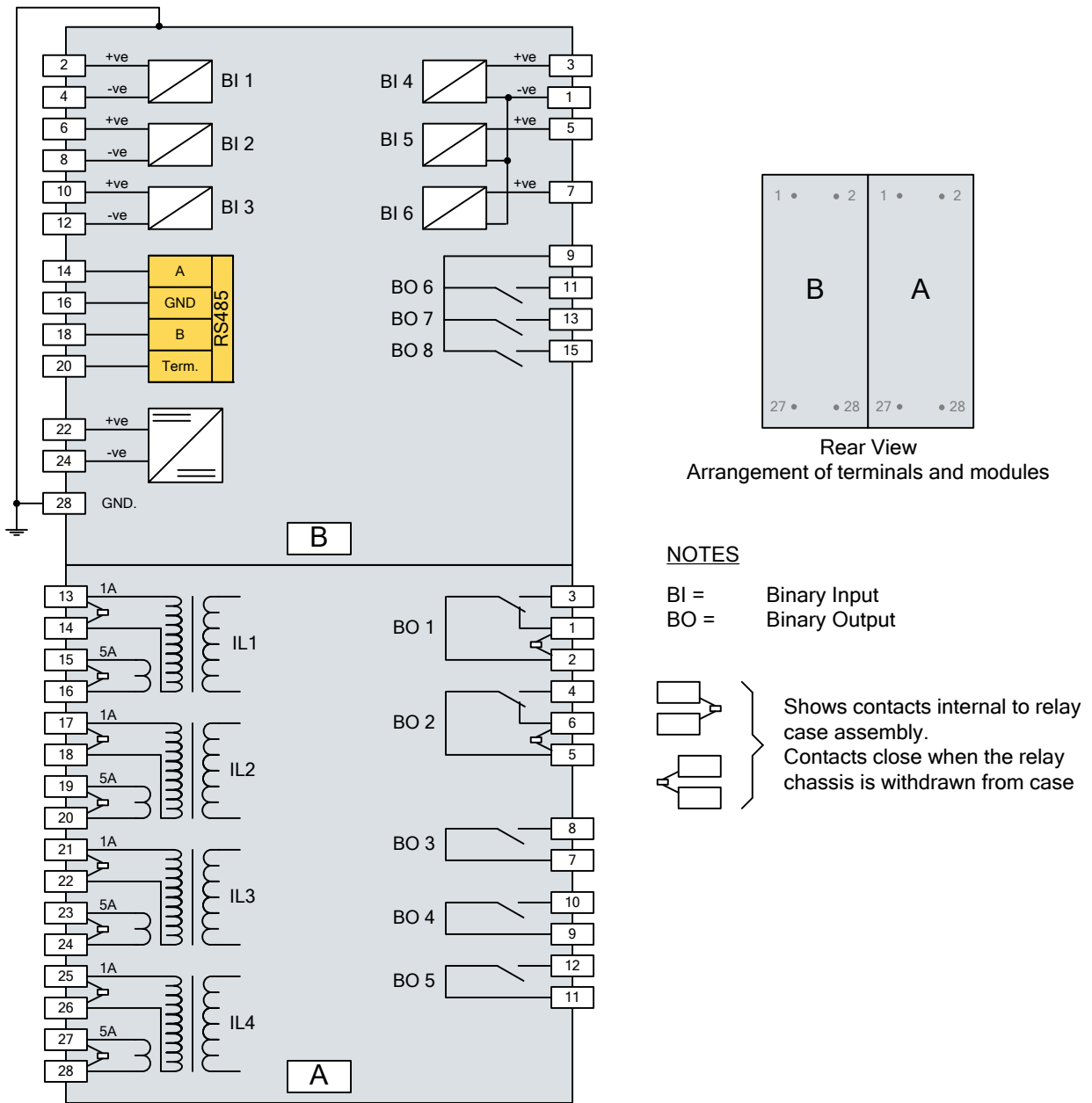


Fig16. Diagram showing 7SR11 relay with 4 CT inputs, 6 binary inputs and 8 binary outputs.

7SR12 Connection Diagram

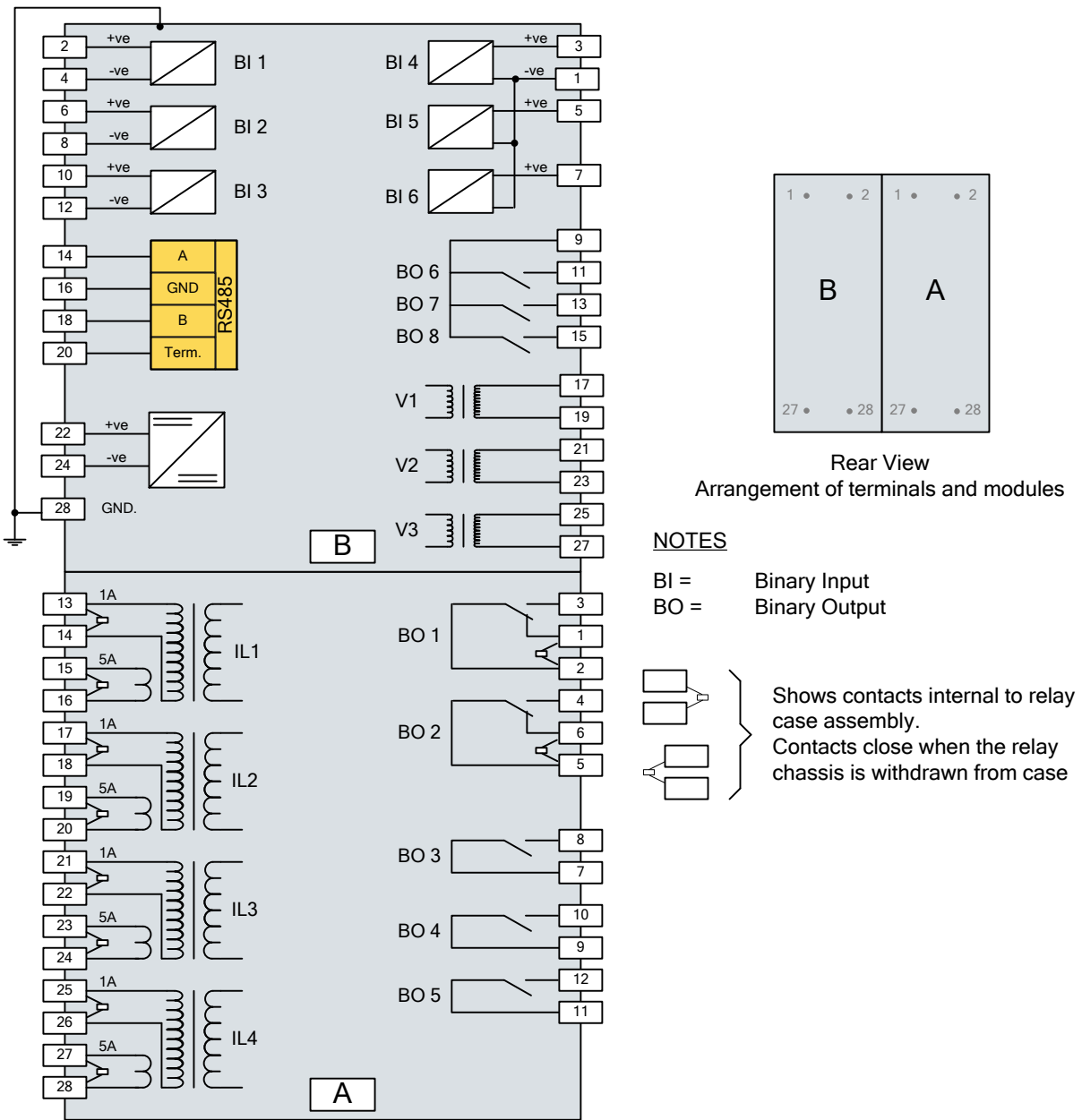


Fig17. Diagram showing 7SR12 relay with 4 CT inputs, 3 VT inputs, 6 binary inputs and 8 binary outputs.

Ordering Information – 7SR11 Argus Non-Directional Overcurrent

ORDER-No.:

1	2	3	4	5	6	7	8	9	10	11	12	13	14	15	16
7	S	R	1	1	0				A	1	2			A	0

Protection Product Family	5															
Overcurrent - Non Directional	1															
Relay Type	6															
	0															
Case, I/O and Fascia	7															
E4 case, 1 CT, 3 Binary Inputs / 5 Binary Outputs, 10 LEDs	1													C		
E4 case, 4 CT, 3 Binary Inputs / 5 Binary Outputs, 10 LEDs	2													A/C/D		
E4 case, 4 CT, 6 Binary Inputs / 8 Binary Outputs, 10 LEDs	3													C/D		
Measuring input	8															
1/5 A, 50/60Hz ¹⁾	1													A/C/D		
1/5 A, 50/60Hz with SEF Input ²⁾	3													C/D		
Auxiliary voltage	9															
80-250V DC / 115V AC ⁶⁾ , binary input threshold 19V DC	G															
80-250V DC, binary input threshold 88V DC	H															
24-60V DC, binary input threshold 19V DC	J															
Spare	10															
	A															
Communication Interface	11															
Standard version - included in all models, USB front port, RS485 rear port	1															
Protocol	12															
IEC 60870-5-103, Modbus RTU and DNP3(user selectable setting)	2															
Front Cover	13															
Standard Version - No Push Buttons	1															
Push Buttons - Down and right Arrows	2															
Protection Function Packages	14															
Basic version ⁵⁾														A		
46BC Broken conductor/load unbalance																
50 Instantaneous phase fault overcurrent																
50BF Circuit breaker fail																
50G/50N Instantaneous earth fault																
51 Time delayed phase fault overcurrent																
51G/51N Time delayed earth fault																
60CTS CT Supervision																
64H High impedance REF																
74T&C Trip & Close circuit supervision																
For future development														B		
Standard version														C		
37 Undercurrent																
46BC ³⁾ Broken conductor/load unbalance																
46NPS ³⁾ Negative phase sequence overcurrent																
49 ³⁾ Thermal overload																
50 ³⁾ Instantaneous phase fault overcurrent																
50BF ³⁾ Circuit breaker fail																
50G/50N Instantaneous earth fault																
50 SEF ²⁾ Instantaneous Sensitive Earth Fault																
51 ³⁾ Time delayed phase fault overcurrent																
51G/51N Time delayed earth fault																
51 SEF ²⁾ Time Delayed Sensitive Earth Fault																
60CTS ³⁾ CT Supervision																
64H High impedance REF																
74T&C Trip & Close circuit supervision																
51c ³⁾ Cold load pickup																
81HBL2 ⁴⁾ Inrush Restraint																
Programmable Logic																
Standard version - plus														D		
79 Autoreclose																
Additional Functionality	15															
No additional functionality	A															
Spare	16															
	0															

¹⁾ 4CT is configured as 3PF + EF
²⁾ 4CT is configured as 3PF + SEF/REF (user selectable setting).
³⁾ Functions only available in 4CT relay
⁴⁾ Not available on single-pole SEF variant
⁵⁾ Protection function package ordering option A is only available on hardware variant 7SR1102-1XA12-XAA0 - 4CT 3BI 5BO
⁶⁾ 115V AC supported by devices with hardware version CC or later

Ordering Information – 7SR12 Argus Directional Overcurrent

ORDER-No.:

1	2	3	4	5	6	7	8	9	10	11	12	13	14	15	16
7	S	R	1	2	0				A	1	2			A	0

Protection Product Family

Overcurrent - Directional

5
2

Relay Type

6
0

Case, I/O and Fascia

E4 case, 1 CT, 3 VT, 3 Binary Inputs / 5 Binary Outputs, 10 LEDs

7
4

 E4 case, 4 CT, 3 VT, 3 Binary Inputs / 5 Binary Outputs, 10 LEDs

7
5

 E4 case, 4 CT, 3 VT, 6 Binary Inputs / 8 Binary Outputs, 10 LEDs

7
6

Measuring input

1/5 A, 63.5/110V, 50/60Hz¹⁾

8
2

 1/5 A, 63.5/110V, 50/60Hz with SEF Input²⁾

8
4

Auxiliary voltage

80-250V DC / 115V AC⁵⁾, binary input threshold 19V DC

9
G

 80-250V DC, binary input threshold 88V DC

9
H

 24-60V DC, binary input threshold 19V DC

9
J

Spare

10
A

Communication Interface

Standard version - included in all models, USB front port, RS485 rear port

11
1

Protocol

IEC 60870-5-103, Modbus RTU and DNP3 (user selectable setting)

12
2

Front Cover

Standard Version - No Push Buttons

13
1

 Push Buttons - Down and right Arrows

13
2

Protection Function Packages

For future development		14	A
For future development			B
Standard version - included in all models			C
27/59	Under/Over Voltage		
37	Undercurrent		
46BC ³⁾	Broken conductor/load unbalance		
46NPS ³⁾	Negative phase sequence overcurrent		
47 ³⁾	Negative phase sequence voltage		
49 ³⁾	Thermal overload		
50BF ³⁾	Circuit breaker fail		
51V ³⁾	Voltage Controlled Overcurrent		
59N	Neutral voltage displacement		
60CTS ³⁾	CT Supervision		
60VTS ³⁾	VT Supervision		
64H	High impedance REF		
67/50 ³⁾	Directional instantaneous phase fault overcurrent		
67/50G 67/50N	Directional instantaneous earth fault		
67/50 SEF ²⁾	Directional instantaneous Sensitive Earth Fault		
67/51 ³⁾	Directional time delayed phase fault overcurrent		
67/51G 67/51N	Directional time delayed earth fault		
67/51 SEF ²⁾	Directional time delayed Sensitive Earth Fault		
74T&C	Trip & Close circuit supervision		
51c ³⁾	Cold load pickup		
81HBL ²⁾	Inrush Restraint		
81U/O	Under/Over Frequency		
	Programmable logic		
Standard version - plus			D
79	Autoreclose		

Additional Functionality

No additional functionality

15
A

Spare

16
0

¹⁾ 4CT is configured as 3PF + EF
²⁾ 4CT is configured as 3PF + SEF/REF (user selectable setting)
³⁾ Functions only available in 4CT relay
⁴⁾ Not available on single-pole SEF variant
⁵⁾ 115V AC supported by devices with hardware version CC or later

Published by and copyright © 2010:
Siemens AG
Infrastructure & Cities Sector
Freyeslebenstrasse 1
91058 Erlangen, Germany

Siemens Protection Devices Limited
P.O. Box 8
North Farm Road
Hebburn
Tyne & Wear
NE31 1TZ
United Kingdom
Phone: +44 (0)191 401 7901
Fax: +44 (0)191 401 5575
www.siemens.com/energy

For more information, please contact our
Customer Support Center.
Phone: +49 180/524 70 00
Fax: +49 180/524 24 71 (Charges depending on provider)
E-mail: support.energy@siemens.com

Power Distribution Division Order No. E53000-K7076-C29-4
Printed in Fürth

Printed on elementary chlorine-free bleached paper.

All rights reserved.

Trademarks mentioned in this document are the property of Siemens AG, its affiliates, or their respective owners.

Subject to change without prior notice.

The information in this document contains general descriptions of the technical options available, which may not apply in all cases. The required technical options should therefore be specified in the contract.